



BASIC ASSESSMENT FORM

KINESIS K1 is an active ultra lightweight wheelchair, which you can efficiently adjust to meet your individual needs. Our wheelchairs are made-to-order and fully customized just for you. The unique frame design allows us to manufacture countless wheelchair customizations within an unprecedented period of 30 days, all of them are quality tested & approved before leaving facility. **KINESIS K1** is a truly lightweight wheelchair! The weight of your fully assembled & ready-to-use wheelchair is only 9-11 kg, since we use only high-technology materials: carbon fibre and aluminum.

Full name:

E-mail:

Phone:

Delivery address:

Order date:

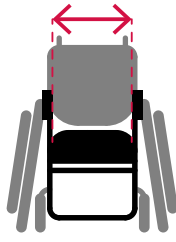
Order No.:

Comments:

USE THE CHECK BOXES BELOW TO CHOOSE THE PREFERRED OPTIONS:

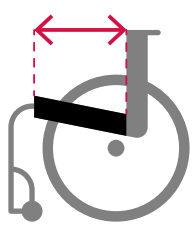
1 Seat Width (distance between fenders, mm)*

330 340 350 360 370 380 390 400 410 420 430 440 450



2 Seat Length (distance between the backrest and the seat edge, mm)*
At least 50 mm should be kept between the back of the knee joint and the edge of the seat.

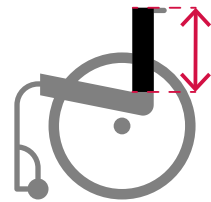
330 340 350 360 370 380 390 400 410 420 430 440 450



* These dimensions can't be changed after the sale is completed.

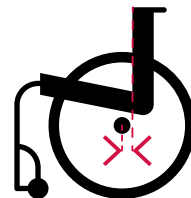
3 Backrest Height (mm)*

200 220 240 260 280 300 320 340 350



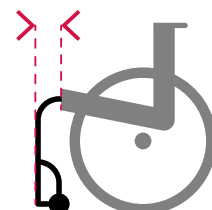
4 Distance between the seat and the rear wheel axle (mm)

80 90 100 110 120 130



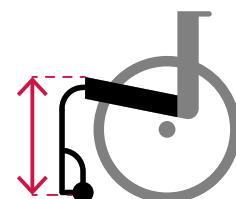
5 Distance between the seat edge and the footrest (mm)*

from 100 mm



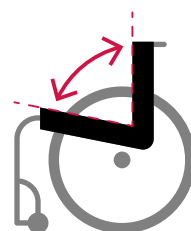
6 Distance between the footrest and the front of the seat (mm)

330 340 350 360 370 380 390 400 410 420 430 440 450



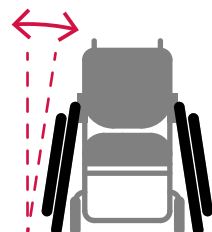
7 Backrest angle

75° - 90°



8 Rear wheel camber

0° 3°



* These dimensions can't be changed after the sale is completed.

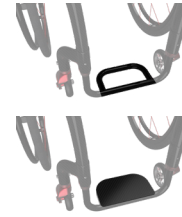
9 Footrest

WITHOUT THE FOOTREST

Included in the basic price.

WITH THE FOOTREST
Carbon fiber Footrest.

+ 75 EUR



10 Cushion

WITHOUT THE CUSHION

Included in the basic price.

VARILITE STRATUS
The single-chambered Varilite Stratus Cushion is a great choice for people who have a moderate risk of tissue breakdown and moderate positioning needs.

+ 195 EUR



VARILITE ZOID
https://www.varilite.com/products_detail.aspx?prodID=1
The single-chambered ZOID is the cushion of choice for active wheelchair users at moderate risk of tissue breakdown and moderate positioning needs.

+ 335 EUR



VARILITE MERIDIAN
https://www.varilite.com/products_detail.aspx?prodID=6
The dual-chambered Meridian cushion is recommended for wheelchair users at high risk of tissue breakdown and symmetric positioning needs.

+ 345 EUR



11 Backrest

THE KINESIS BACKREST
This backrest is made of wear-resistant materials and equipped with soft velcro straps.

+ 125 EUR



THE ICON BACK SYSTEM LOW
https://www.varilite.com/products_detail.aspx?prodID=37
A great solution for users needing lower trunk support. The upper body is unimpeded, which allows full range motion of the upper body and trunk.

+ 415 EUR



THE ICON BACK SYSTEM MID
https://www.varilite.com/products_detail.aspx?prodID=38
This backrest supports the user to just below the scapula. Thus, the back does not interfere with arm movement, and the user is less likely to feel fatigued.

+ 475 EUR



THE ICON BACK SYSTEM TALL
https://www.varilite.com/products_detail.aspx?prodID=39
Supports the back to the top of the shoulders, including the scapula, which is ideal for users with decreased trunk control.

+ 475 EUR



12 Brakes

- MBL SPORT BRAKES**
Compact mechanical brakes fitted with ergonomic handles.



+ 75 EUR

13 Wheel Set

- SPINERGY EVERYDAY WIRE**
www.spinergy.com/products/wire-wheel
Spinergy quality in a steel spoke wheel. Extremely strong wheels at a lower cost.



+ 250 EUR

- SPINERGY SPOX EVERYDAY**
www.spinergy.com/products/spox-everyday
The most trusted wheel on the market. It's extremely reliable and great for your everyday needs. Attractive design, performance and all day comfort. Fiberglass colored spokes.



+ 625 EUR

Choose the spokes color:

- black
- white
- yellow
- blue
- red
- green

Choose the hub color:

- black
- silver

- SPINERGY LITE EXTREME LX**
www.spinergy.com/products/lite-extreme-lx
The same reliability and performance as the SPOX model, but with fewer spokes. Features fiberglass colored spokes.



+ 825 EUR

Choose the spokes color:

- black
- white
- yellow
- blue
- red
- green

Choose the hub color:

- black
- silver

14 Tires

- SCHWALBE RIGHTRUN**
www.schwalbe.com/en/wheelchair-reader/rightrun.html
An entry level tire by the world-famous brand. Equipped with effective puncture protection system.



+ 35 EUR

- SCHWALBE MARATHON PLUS**
www.schwalbe.com/en/wheelchair-reader/marathon-plus.html
These tires combine convenience with lightweight design. Fitted with puncture protection technology they feature excellent wear-resisting & durability properties.



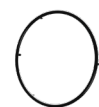
+ 95 EUR

15 Handrims

- ALUMINIUM WHEELCHAIR HANDRIMS**

Choose the handrims color:

- black
- silver



+ 95 EUR

16 Casters



KINESIS

Our wheels at the front of the wheelchair can swivel in every possible direction, which makes it easier to manoeuvre the wheelchair both indoors and on the smooth roads & hard surfaces.

Choose the size:



3"



4"

Choose the disk color:



black



red



silver



+ 55 EUR



KINESIS

Our wheels at the front of the wheelchair can swivel in every possible direction, which makes it easier to manoeuvre the wheelchair both indoors and on the smooth roads & hard surfaces.

Choose the size:



5"

Choose the disk color:



black



red



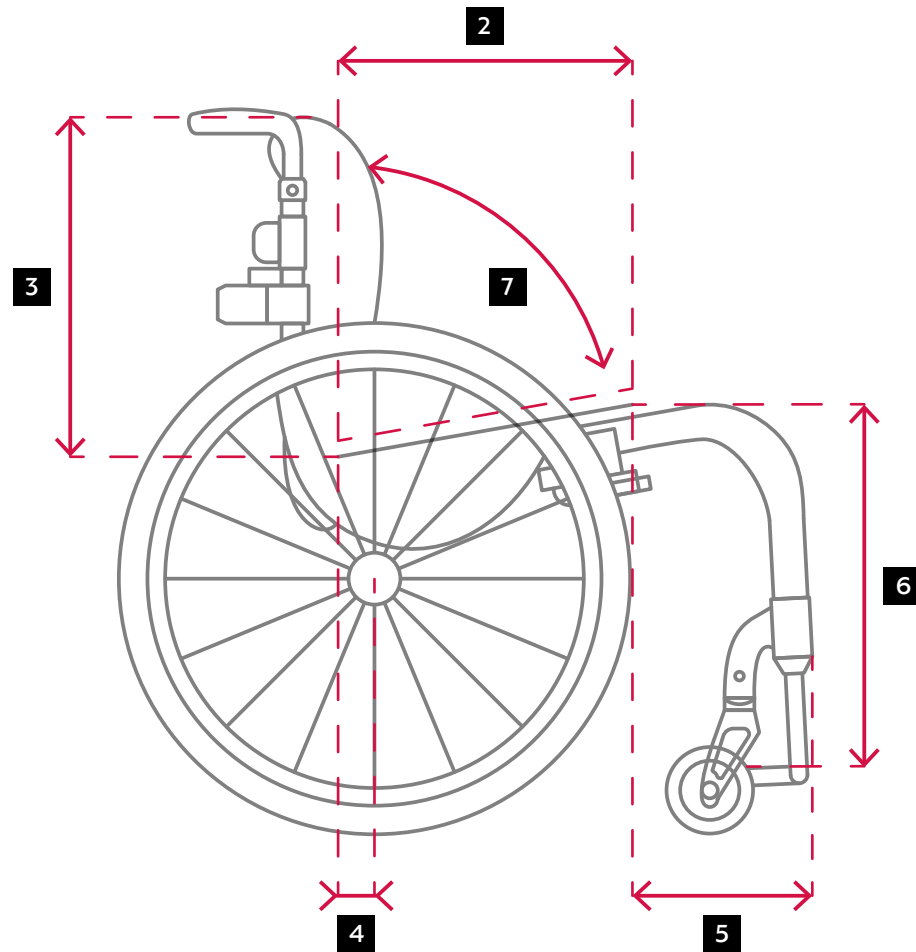
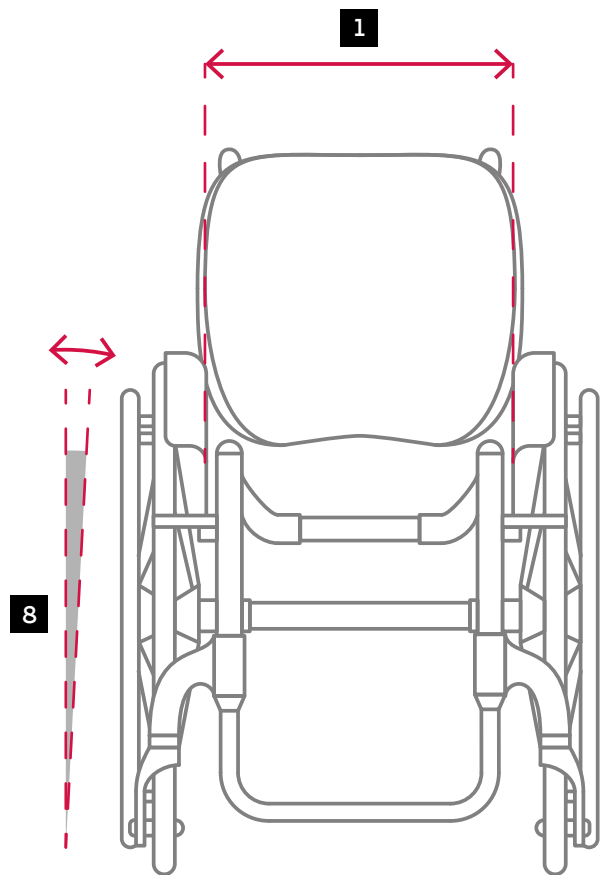
silver



+ 75 EUR

All our products are made to individual requirements, according to the data you specify in this assessment form. The dimensions of a ready wheelchair are accurate within +/- 10 mm of the values specified in this form. The manufacturer reserves the right to make all necessary changes to the specifications and manufacturing processes of the products without prior notice.

TOTAL COST:



1 330-450 mm

3 200-350 mm

5 от 100 mm

7 75° - 90°

2 330-450 mm

4 80-130 mm

6 330-450 mm

8 0° or 3°